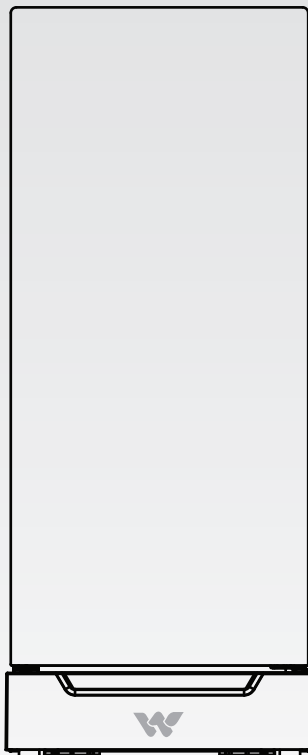


WALTON

Owner's Manual

SINGLE DOOR-DIRECT COOL REFRIGERATOR



IS 17550 (Part 1)



CM/L-4100166679

www.bis.gov.in

Dear Customer,

Congratulations on being the proud owner of WALTON Refrigerator. Your Refrigerator comes with the WALTON Guarantee of Quality.

WALTON takes great pride in providing its customers with perfect products that adhere to international quality standards.

WALTON is committed to provide the ultimate customer satisfaction and the Company takes great pride in having satisfied customers.

At WALTON, feedback and suggestions based on your product usage are greatly appreciated.

Please feel free to contact us at:

customercare@walton.in

TEAM WALTON

CONTENTS

1. Safety Instructions	1-5
2. Parts Indications	5-6
3. Transportation	6-7
4. Installation	7-8
5. Operation Procedures	8-9
6. How to Use Thermostat Knob & Defrosting	10
7. Cleaning	11
8. Tips to Keep Food Fresh and Healthy	11-12
9. When on a Long Vacation	12
10. Routine Maintenance	12
11. Troubleshooting	13
12. Specifications	14
13. Warranty	15-17
14. E-Waste Disposal	18-19
15. Note	20-22

SAFETY INSTRUCTIONS



Do not



Indicates the appliance must be earthed to prevent electric shock



Make sure you do this



Do not take apart



Indicates risk of death or serious injury.

This appliance is not intended for use by persons (including children) with reduced physical, sensory or mental capabilities, or lack of experience and knowledge, unless they have been given supervision or instruction concerning use of the appliance by a person responsible for their safety. Children should be supervised to ensure that they do not play with the appliance.



Make sure the supply cord and plug are not squashed or damaged.

- A damaged power plug or cord can cause short-circuit, fire or electric shock.
- If the supply cord is damaged, it must be replaced by the manufacturer, its service agent or similarly qualified persons in order to avoid a hazard.
- DO NOT ATTEMPT TO REPLACE IT YOURSELF.



Do not use a multiple socket adaptor and plug several appliances into the same socket adaptor.

- This can cause overheating, fire or short circuit.

Do not pinch, knot, or bend the supply cord, or place heavy objects on it.

- This increases the risk of fire or electric shock. If the supply cord or plug of the appliance is damaged, it must be replaced by the manufacturer, its service agent or similarly qualified person in order to avoid a hazard.

Do not unplug the refrigerator by pulling on the supply cord.

- This can damage to the supply cord. Always grip the plug and pull firmly from the socket.

Do not place any water container on the top of the refrigerator.

- Water can damage insulation of electrical components and cause short circuit, fire or electric shock.

Do not spray inflammable gas near the refrigerator.

- This can cause explosion or fire.

Do not spray water onto or into the refrigerator.

- This can cause fire or electric shock.

Do not touch the power plug with wet hands.

- This can cause electric shock.

Do not install the refrigerator in a damp place, or where it may come into contact with water.

- Deteriorated insulation of electrical parts can cause short circuit, electric shock or fire.

Do not store volatile or flammable substances in the refrigerator.

- Flammable substances such as benzene, thinners, alcohol, ether and Liquid Petroleum Gas (LPG) can cause explosions.

Do not store pharmaceuticals or other temperature-sensitive products in the refrigerator.

- You should not store products that require strict temperature controls in the refrigerator.

Do not let children climb, swing or hang on the refrigerator door.

- This can cause serious injury, as well as damaging the refrigerator.
- The appliance should not be used by children aged below 8 years or persons with reduced physical, sensory or mental capabilities or lack of experience and knowledge.

Do not operate the refrigerator in the presence of explosive fumes or flammable gas.

- This can cause explosion or fire.

Do not store petrol or other flammable liquids and vapors in the refrigerator, or use them near the appliance.

- This can cause explosion or fire.



Do not try to disassemble, repair or modify the refrigerator yourself.

- You may injure yourself- or others - with burns or electric shock, or damage the refrigerator. If your appliance needs alterations or repair, please consult authorized service center.



Ensure that the refrigerator is plugged into an earthed mains socket. DO NOT plug into an unearthed mains socket.

Remove any dirt or dust from the plug's pins before connecting to the power supply.

- Dust build-up on the plug can cause insulation failure, especially in humid conditions. This can cause short circuit, fire or electric shock. Unplug the supply cord and wipe it with a dry cloth. Never use a wet or damp cloth.



Plug your appliance into the socket, making sure the connection is secure.

- A loosely connected power plug can cause fire or electric shock.

Unplug the refrigerator before cleaning and servicing.

- Failure to do this can cause electric shock.

If you smell burning or see smoke coming from the refrigerator, disconnect the power immediately and please consult authorized service center.



CAUTION

Indicates risk of injury or damage to property.





Do not put glass bottles or containers in the freezer.

- When the contents freeze, the glass may break.

Do not touch the inside walls of the freezer or items stored in the freezer with wet hands.

- Your skin can become frozen onto the interior wall, or items stored in the freezer.

	<p>If there's a power cut, avoid opening the refrigerator frequently or putting unchilled food in it.</p> <ul style="list-style-type: none">• This can cause the temperature in the refrigerator to rise and spoil food stored inside and can cause problem to health. <p>If you're not going to use the refrigerator for a long time, unplug it from the mains Supply.</p> <p>Also, be careful of the gap between the fridge and freezer door, especially if they are both open at the same time.</p> <ul style="list-style-type: none">• This may cause personal injury. <p>When opening the refrigerator, be careful not to pinch your fingers at the "pinch point" Areas (Gasket side).</p> <ul style="list-style-type: none">• This can cause personal injury.
---	---

 CAUTION	<p>This appliance is intended to be used in household and similar applications such as</p> <ul style="list-style-type: none">• staff kitchen areas in shops, offices and other working environments;• farm houses and by clients in hotels, motels and other residential type environments;• bed and breakfast type environments;• catering and similar non-retail applications.• When positioning the appliance, ensure the supply cord is not trapped or damaged.• Do not use electrical appliances inside the food storage compartments of the appliance, unless they are of the type recommended by the manufacturer.• Keep ventilation openings, in the appliance enclosure or in the built-in structure, clear of obstruction.• Do not use mechanical devices or other means to accelerate the defrosting process, other than those recommended by the manufacturer.• Do not damage the refrigerant circuit.• Do not locate multiple portable socket-outlets or portable power supplies at the rear of the appliance. <p>If gas used is R600a (NON ODS)</p> <p>This appliance contains a small amount of isobutane refrigerant R600a (NON ODS), natural gas with high environmental compatibility, but it is also combustible. When transporting and</p>
--	---

installing the appliance, care should be taken to ensure that no parts of the refrigerating circuit are damaged. Refrigerant squirting out of the pipes could ignite or cause an eye injury. If a leak detected, avoid any naked flames or potential sources of ignition and ventilate the room in which the appliance is installed for several minutes.

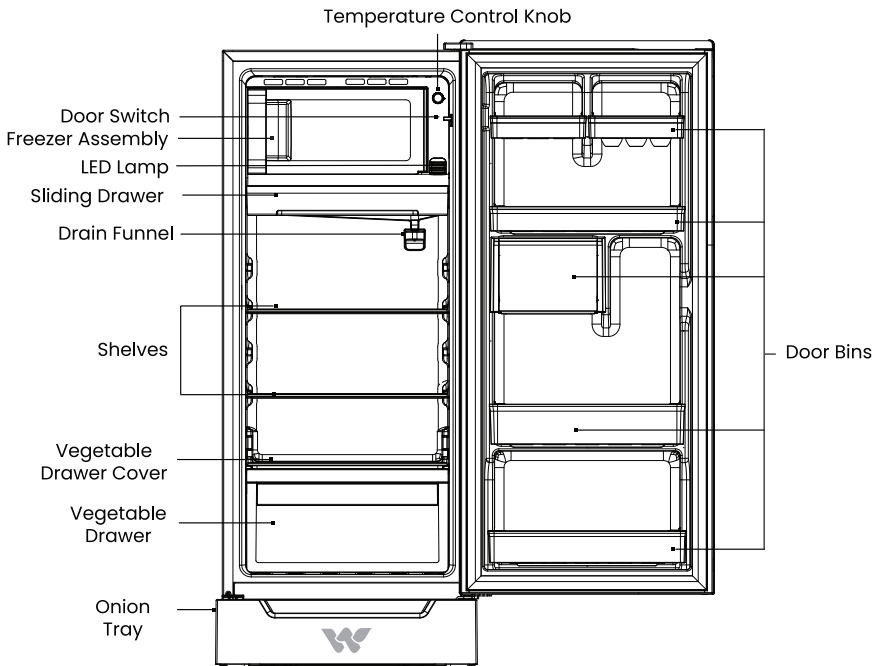
Never start up an appliance any signs of damage. If any doubt, consult your dealer.

- Natural Gas (isobutane, R600a NON ODS) is an environment-friendly refrigerant, even a small amount (30 g-90 g) is combustible. When the gas is leaked due to severe damage during delivering, installing or using the refrigerator, any spark may cause fire or burn.

PARTS INDICATION

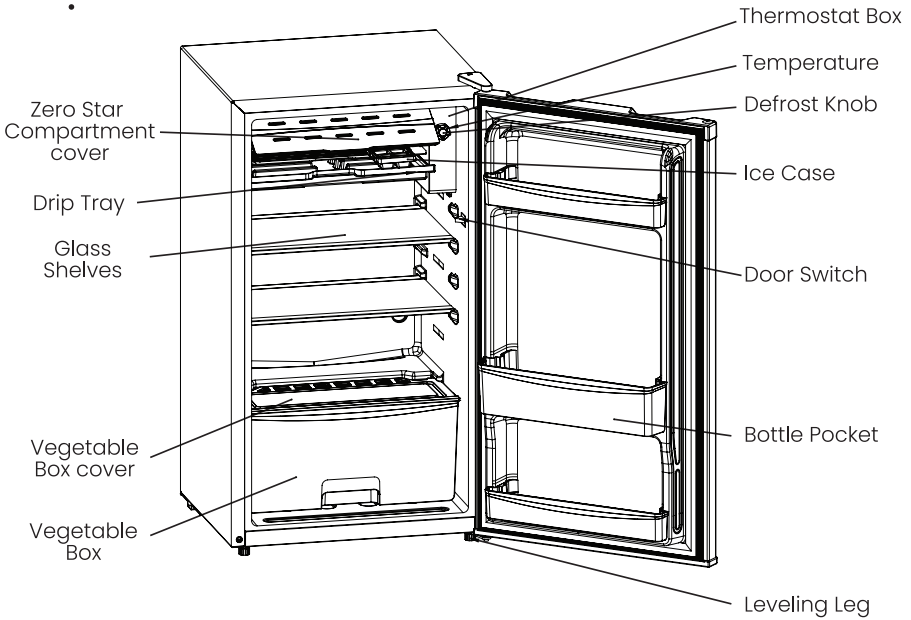
Model name- WR194DC, WR213DC, WR214DC, WR215DC, WR223DC

For the product improvement, the refrigerator that you purchased may have a little difference from this specifications.



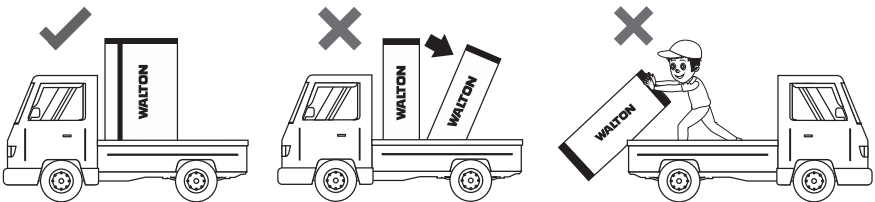
PARTS INDICATION

- Model name- WR071DC, WR092DC, WR112DC

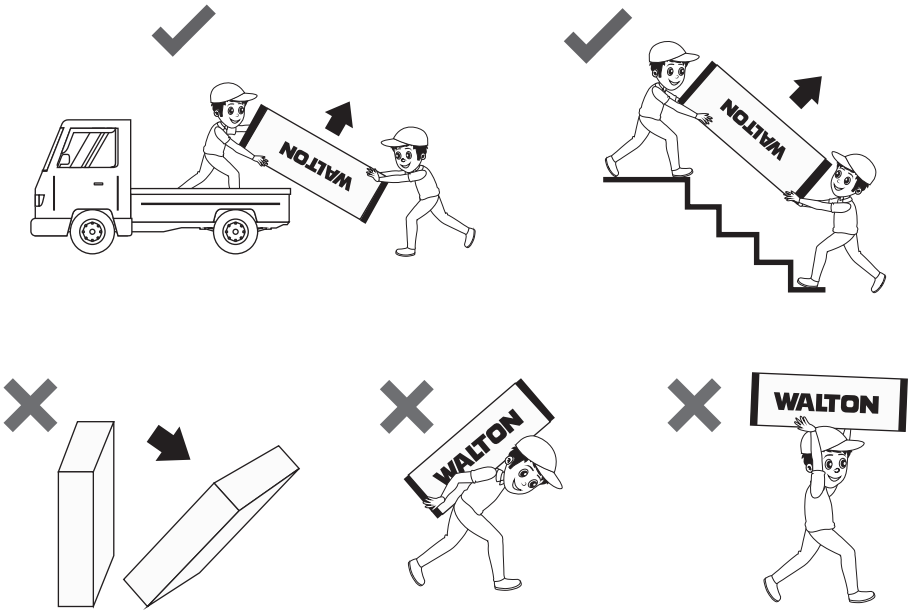


TRANSPORTATION

- Refrigerators should be carried in a van/truck straightly with proper care. In this regards you have to follow the instructions of refrigerator carton.
- Refrigerators should be tied firmly on a van/truck while carrying.



- Refrigerators must be unloaded from van/truck vertically and while it will be carrying through stairs, it requires to keep as much straighter as possible. In this regards, instruction of carton should be followed.



INSTALLATION

1. Choice of Location:

Refrigerator should be installed in a dry and well-ventilated room. Its installation in a damp room or the occurrence of weather-dependent high air humidity may turn temporarily to precipitation of moisture (Dew formation) on the outsides of the freezer compartment. Avoid installing the appliance in direct sunlight or exposed to similar sources of heat.



2. Placing:

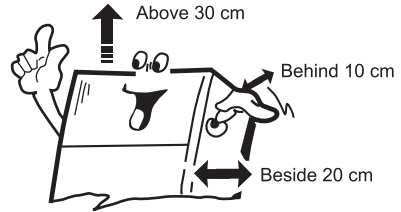
For proper ventilation, sufficient clear space is needed around the refrigerator.

Minimum required space:

Above: 30 cm

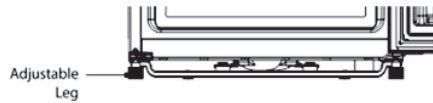
Sides: 20 cm

Back: 10 cm



3. Leveling:

Install on a completely flat and rigid surface to minimize noise. The Refrigerator should be securely positioned.



Attentions

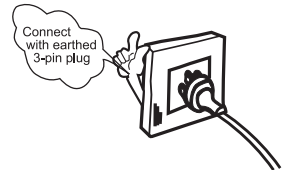
The power line shall not be pressed by fridge or other things to avoid accident lead by the damage of power line. When the power cable is worn or damaged, you must change it at the repair station designated by the manufacturer.

OPERATION PROCEDURES

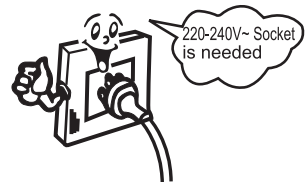
1. Power supply for the refrigerator is single phase AC.

Voltage : 220-240V~

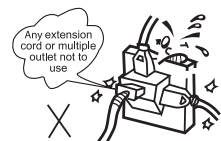
Frequency : 50Hz



2. The power plug should have its own socket. It's not recommended to use extension cords or connect it to a multiple outlet.



3. Connect the refrigerator plug to a three pin outlet (socket) that has a valid earth connection.



4. Connect the refrigerator plug properly to the power outlet to avoid any loose connection.
5. Before starting, the refrigerator should be cleaned properly. After cleaning, the refrigerator should be placed in position and needs to wait for 30 minutes before supplying electricity. Don't store anything until the temperature inside the refrigerator becomes low enough (2 hours).
6. Food Storage/Preservation Suggestions:

a. Freezing

- Freezing fresh meats and fishes can help to maintain their nourishments. For faster and proper freezing, keep a limited amount of food slowly. Don't keep food in a fully loaded condition all together.

b. Refrigeration

- Wrap the leafy vegetables with fresh preservation paper to avoid being dry. Foods with rich water content such as bean, curd and vegetables should be stored in the front bottom part of the refrigerator compartment to avoid being frozen.

c. Placement of foods

- Keep some space between foods to maintain proper air circulation. Foods should be wrapped properly to avoid becoming dry and odor free. Hot food stuffs should be cooled down before keeping in the compartments. Otherwise the internal temperature of the compartments or electric consumption will increase.

d. Instruction for making and removing ice cubes

- Fill water into the ice making case up to the full line and ice cubes will be formed in about 2 to 3 hours.
- Pieces of ice cubes can be removed by twisting the ice-making case. Don't bend it up and down as this may cause breakage.

Correct Method



Wrong Method

e. Appliances could be used

- This appliance is intended to be used in household and similar applications such as.
- Staff kitchen areas in shops, offices and other working environments.
- Farm houses and by clients in hotels, motels and other residential type environments.
- Bed and breakfast type environments.

HOW TO USE THERMOSTAT KNOB AND DEFROSTING

Temperature Selection

The temperature of the appliance can be adjusted by turning the thermostat dial.

- The higher number indicates colder settings
- The lower number indicates warmer settings
- The "0" position will turn off the cooling function
- The setting "4-5" is recommended for regular use

Internal temperature of the appliance can vary based on ambient temperature, the quantity of items stored and how frequently the door is opened.

Defrosting The Appliance

This refrigerator is equipped with a manual defrost system. To activate the defrost cycle, push the blue defrost button located on the center of the thermostat dial. The defrost cycle is initiated immediately.

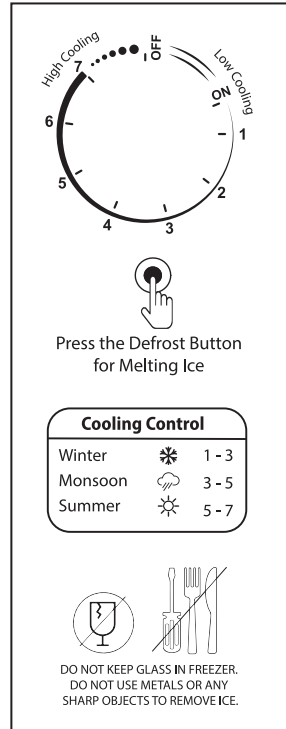
When defrosting is complete, the blue defrost button will release and the refrigerator will resume normal operating conditions.

Note: If the blue defrost button is pressed accidentally, it is not possible to manually deactivate the defrost cycle. The defrost cycle must be allowed to run its course.

Defrosting the refrigerator should take place whenever ice build-up inside the compartment reaches 5 mm(0.2") thick. Defrosting may take a few hours, depending on the amount of accumulated ice and ambient indoor temperature.

To speed up the defrosting process, remove all frozen foods from the freezer section and leave the door open.

Monitor the refrigerator closely during the defrosting process to avoid water spilling and causing damage to flooring or counter tops.



CLEANING

1. Try to clean the Refrigerator once a month. It is very necessary to clean the refrigerator to keep away from unwanted smells. Bad Odor foods must be removed from the refrigerator.
2. While cleaning the refrigerator, pull out the plug.
3. Remove all food items and ice cubes from Refrigerator. Clean carefully with a piece of soft cloth, soak in clean water, and then wipe with soft fabrics.
4. Wash every shelf and tray of the compartments and gasket of the door by light detergent solution and then make these things dry.
5. Refrigerators should not be cleaned with a brush, irregular & rough cleaner, metal cleaning pad or high alkaline solution.
6. Wipe properly with a soft cloth if any droplets are accumulated on the surface.
7. Water tray above the compressor needs to be cleaned if it gets accumulated with dirt.
8. If the Refrigerator & Freezer are out of use for a long time, please pull out the plug, clean and dry the interior compartments, then close the door tightly.
9. As the door gasket easily gets dirty, so frequent cleaning is necessary.
10. Water may leak from the interior compartment if the drain pipe is blocked. In this case, drain pipe requires to be cleaned frequently.



TIPS TO KEEP FOOD FRESH AND HEALTHY

1. Locate refrigerator away from heat sources like cooking range, stove, or sunny window.
2. If you don't need any food items for a long time throw them away. Food items that spoils the refrigerator can create foul odor.
3. For short vacations leave refrigerator on, but use up or discard the perishable foods.

4. Wipe up spills in the refrigerator immediately to avoid staining and odors.

Several of the plastics used for interior parts of the refrigerator can easily get stained by fruits, and other colored and absorb and retain odors. Hence tightly wrap or cover foods and remove "old" foods before they get spoiled.

WHEN ON A LONG VACATION

Follow the following steps carefully:

1. Remove all foods from refrigerator.
2. Switch off the power supply and remove the power cord.

Clean the refrigerator with a clean cloth and then leave the door open to prevent odors.

ROUTINE MAINTENANCE

To get the optimum performance from your Refrigerator, regularly maintain the following:

1. Check the temperature often in both the refrigerator and freezer sections of your unit. This is important for food safety as well as for helping the fridge run efficiently.
2. Inspect the gasket frequently for signs of wear and tear.
3. Make sure the door is closed tightly when you're through.
4. Keep the Refrigerator full not overcrowded or vacant.
5. Clean the shelves inside the fridge, as well as the compartments, lining, and door gasket with mild cleanser every three months. Check for problems and damage.
6. Clear and clean the drip openings. Drip openings allow water that has melted from the defrost cycle to flow down to a pan located above the compressor, where it evaporates.
7. Keep a cup of baking soda in the fridge at all times to keep it smelling clean and fresh. To add a fresh scent, use a slice of lemon or lime instead of, or in addition to, the baking soda.

TROUBLESHOOTING

Situation	Inspection
Refrigerator not working properly	<ul style="list-style-type: none"> • Check if there is a power failure. • Check if the power cord is plugged into the socket properly or not. • Check the fuse (or circuit-breaker).
Not cooling sufficiently	<ul style="list-style-type: none"> • The food may be packed too tightly together which may block the flow of air. • You may have put something hot or a lot of food stuff into the refrigerator. • The temperature control dial may not have been set properly. • The door may not have been closed properly. • Check whether air is flowing perfectly inside the refrigerator or not.
Foods frozen in the refrigerator compartment	<ul style="list-style-type: none"> • Check the temperature controller position either it's according to given instructions or not. • Check the food items whether it blocks the air flow opening or not.
Water leaks from refrigerator compartment	<ul style="list-style-type: none"> • Check if the drain pipe is blocked. • Check if there any leakage from some objects stored in it.
Noises	<ul style="list-style-type: none"> • Check whether the refrigerator installed firmly or not. • Check if the refrigerator has been struck by some other objects.
Compressor running continuously	<ul style="list-style-type: none"> • Check if too many foods are stored at same position • Check if the doors opened too frequently or too long. • Check the temperature controller position either it's according to given instruction or not.

N. B.: If the above methods don't solve the problems, please contact the service center for assistance without any delay.

SPECIFICATIONS

Model	WR071DC
Total Volume (L)	50 L
Net Dimension (LxWxH) cm	(48 x 44.5 x 53.8) cm
Refrigerant type	R600a (NON ODS)
Rated Voltage (V)	220V~240V
Rated Frequency (Hz)	50 Hz

Model	WR092DC
Total Volume (L)	72 L
Net Dimension (LxWxH) cm	(47.5 x 44.8 x 70.8) cm
Refrigerant type	R600a (NON ODS)
Rated Voltage (V)	220V~240V
Rated Frequency (Hz)	50 Hz

Model	WR112DC
Total Volume (L)	92 L
Net Dimension (LxWxH) cm	(44.8 x 47.5 x 86.5) cm
Refrigerant type	R600a (NON ODS)
Rated Voltage (V)	220V~240V
Rated Frequency (Hz)	50 Hz

Model	WR194DC, WR213DC, WR214DC, WR215DC
Total Volume (L)	190 L
Net Dimension (LxWxH) cm	(60.0 x 54.0 x 134.0) cm - with OT
Refrigerant type	R600a (NON ODS)
Rated Voltage (V)	220V~240V
Rated Frequency (Hz)	50 Hz

Model	WR223DC
Total Volume (L)	201 L
Net Dimension (LxWxH) cm	(60.0 x 54.0 x 138.0) cm
Refrigerant type	R600a (NON ODS)
Rated Voltage (V)	220V~240V
Rated Frequency (Hz)	50 Hz

WARRANTY CARD

Warranty	WR112DC Series	WR194DC Series, WR213DC Series WR214DC Series, WR215DC Series WR223DC Series
Comprehensive	1 Year	1 Year
Compressor	5 Years	10 Years

Purchase Date: ____/____/____

Customer Name :

Customer Address :

.....

Contact No. :

Email ID :

Product : Single Door Refrigerator

Model Name :

Dealer Name :

Barcode No. :

For any query, please call customer care number or Email:

1800-571-1457 or customercare@walton.in

I accept the terms & conditions of the warranty

Dealer Signature

Customer Signature

WARRANTY DETAILS

Comprehensive Warranty: Company provides a comprehensive warranty of one (01) year for the refrigerator (except LED Lights, plastic parts & shelves) subject to standard usage. In case of manufacturing defects or malfunctions, the refrigerator will be repaired to restore it to usable condition with no charge for spare parts or labor; If the refrigerator is deemed irreparable, the product will be replaced with a suitable equivalent (with new or refurbished / repaired product or refund)

Compressor Warranty: Company offers extended nine (09) years warranty for supply of compressor only. However, any additional costs incurred for this service such as transportation, labor, gas charging or any other spare parts will be borne by the consumer.

Warranty not applicable if:

- The product is not used according to instructions given in the instruction manual.
- Defects caused by improper use as determined by the company personnel.
- Modification or alteration of any nature is made in the electrical circuitry / or physical construction of the set.
- Installation/repair work is carried out by persons/agency other than authorized by the company.
- Site (premises where the product is kept) conditions that do not confirm to the recommended operating conditions of the machine.
- The original serial number is removed, obliterated or altered from the machine or cabinet.
- Defects due to cause beyond control like lightning, abnormal voltage, acts of God or while in transit to the service centre or purchaser's residence.
- Defects caused by household pets, rats, cockroaches or any other animals or insects.

- Any type of breakage caused by mishandling of the product.
- Under no circumstance, the company is liable for loss directly or indirectly for any of the following:
- Third-party claims against the customer for losses or damages.
- Loss or damages to records, information or data.
- Economic consequential damages including lost profits.
- Warranty does not cover user manuals or any third-party software, settings, content, data or links, whether included/downloaded in product.
- Warranty does not cover normal wear and tear (including, without limitation, wear and tear of batteries or displays).
- Warranty does not cover defects or alleged defects caused by commercial use of the product. This product is meant for the individual household purpose only. Commercial use of the product to be avoided.
- Warranty does not cover defects caused by the fact that the battery has been short-circuited or by the fact that the seals of the battery enclosure or the cells are broken or show evidence of tampering or by the fact that the battery has been used in equipment other than those for which it has been specified.

E-WASTE DISPOSAL

Environmental Compliances:

As per the rules laid down by the Government for environmental concern & safety, your product has been made to Comply and conform to the respective regulation as listed below. This product falls under the E-WASTE (MANAGEMENT) RULES, 2022 with all amendments of Ministry of Environment, Forest & Climate change.

RoHS Declaration: 

This Product is in conformity with requirements of Rule 16 of the E-WASTE (MANAGEMENT) RULES, 2022 with all amendments. The content of hazardous substances with the exemption of the applications listed in SCHEDULE II of the E-Waste (Management) Rules, 2022 with

All amendments are as follows:

- Lead (Pb): not over 0.1% by weight;
- Mercury (Hg): not over 0.1% by weight;
- Cadmium (Cd): not over 0.01% by weight;
- Hexavalent Chromium (Cr6+): not over 0.1% by weight;
- Polybrominated Biphenyls (PBBs): not over 0.1% by weight;
- Polybrominated Diphenyl Ethers (PBDEs): not over 0.1% by weight.

Do's and Don'ts for disposal of product:

1. Do's:

- Always drop your used electrical/electronic products, defective spares or any accessories and packaging materials after the end of their life at the nearest authorized collection point/center.
- Make sure that your electronic products are recycled only by authorized recyclers/dismantlers.
- Segregate the packaging materials according to their respective waste disposal options and sorting for recycling.
- Protect the glass surface of any electronic product to avoid breakage.

2.) Don'ts:

- Never dismantle your electronic product yourself.
- Never sell or give E-Waste to informal and unorganized sectors like local scrap dealer/rag pickers.
- Never dump E-Waste in garbage bins or municipal solid waste stream.
- Do not dispose your product as unsorted municipal waste.

For more information on safe disposal, recycling and collection point, please call customer care number:

1800-571-1457

E-mail: HO@susmitaelectronicsprivatelimited.com



NOTE

IS 17550 (Part 1)



CM/L-4100166679

www.bis.gov.in



WALTON HI-TECH INDUSTRIES PLC.

Imported & Marketed by: **SUSMITA ELECTRONICS PRIVATE LIMITED.**

47/1, Deshbandhu Pally, Naihati, Parganas North, West Bengal, India, 743165

E-Mail: customercare@walton.in Website: www.walton.in

Customer Care No: 18005711457